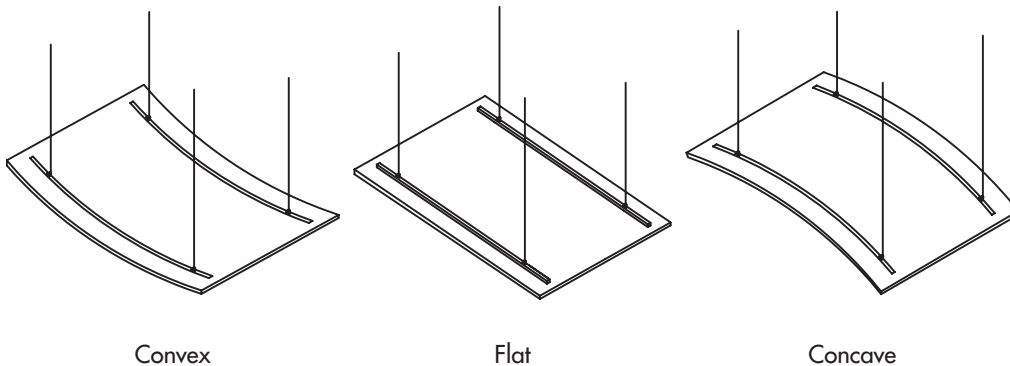


# CLOUDS: ABSORPTIVE (CA) REFLECTIVE (CR)

Acoustical Clouds by G&S Acoustics are independently-hung **sound-absorbing** (CA) and **sound-reflecting** (CR) panels. Our Clouds hang at any angle from the ceiling, depending on the desired design and acoustical effect. All mounting hardware is embedded in the fiberglass core and mechanically fastened to full length aluminum tracks on the back of each Cloud.

Our sound-absorbing Clouds (CA) should be used in areas that require **high levels of sound absorption**. Our sound-reflecting Clouds (CR) should be used in areas that require sound reflection combined with **excellent low-frequency sound absorption**.

Clouds are covered with fabric or paint, an aluminum vapor-barrier backing is an available option. Standard Clouds are supplied in square and rectangular forms. Drawings showing custom shapes must be submitted for approval.



## SOUND ABSORPTION

Hz	125	250	500	1000	2000	4000	NRC
CA1	.94	1.00	.80	1.05	1.07	1.15	1.00
CA1.5	.80	1.08	.94	1.12	1.10	1.13	1.05
CA2	.86	1.05	1.03	1.16	1.09	1.13	1.10
CR1	.60	.34	.43	.12	.03	.01	.25

Note: Sound absorption is based on using our standard fabric. Results may vary with the use of other materials.



### CORE

CA: multi-density fiberglass  
CR: co-polymer and fiberglass  
Thickness: 1"-2"

### SIZES

Custom sizes and shapes to 4'x10' and 5'x10'

### MOUNTING

Aluminum Track and Eyebolts  
(1/8" cable by others)

### FINISHES

Fabric, Paint

### EDGES

Square, beveled, radiused, micro-bevel (for adjoined clouds)  
Chemically Hardened

### FLAMMABILITY

All components have a Class "A" rating per ASTM E84

*Controlling  
Sound  
Beautifully*