

# CEILING MOUNTING: TYPE SM-CLIP, 1" CLOUDS

## APPLICATION

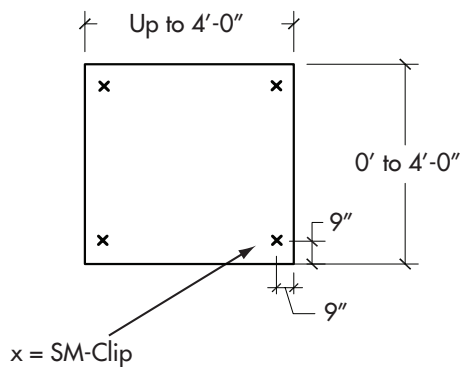
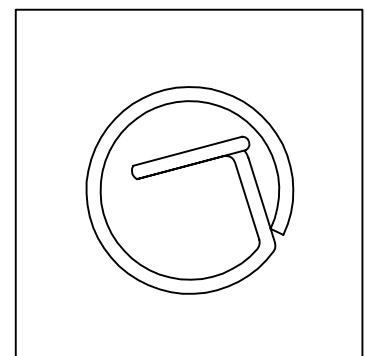
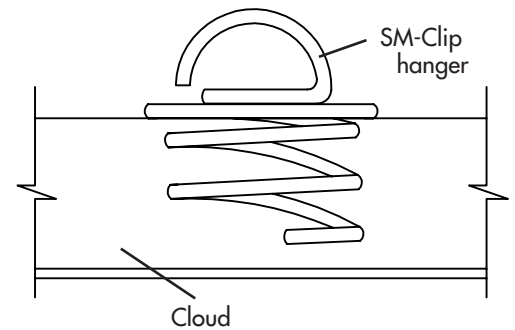
For hanging fiberglass acoustical panels as Clouds. Use on 1" thick Clouds up to 4'x4' (16 sf or less). See drawings below.

## DESCRIPTION

This installation uses SM-Clip hanger assemblies. This allows you to install fiberglass acoustical clouds from ceilings. Installation is as follows:

1. SM-Clip hangers come fully assembled and ready to install in the **back** of each Cloud.
2. Locate each place to install SM-Clip hangers. The minimum distance from each edge is 9". See drawings below.
3. Place the SM-Clip hanger on the back of the fiberglass Cloud with the open edge of the spiral at the bottom. At the same time, push and turn, **by hand only**, the SM-Clip hanger into the back of the panel until it is fully engaged. See drawings to the right. **Do Not Overtighten.**
4. Use wire, chain or "S" hooks (provided by others) to hang the Clouds.
5. Number of SM-Clip clips per Cloud. See drawings below:

## CLOUD MOUNTING TYPE SM-CLIP



*Controlling Sound Beautifully*