

# CEILING MOUNTING: REFLECTION CLOUD (RC)

## APPLICATION

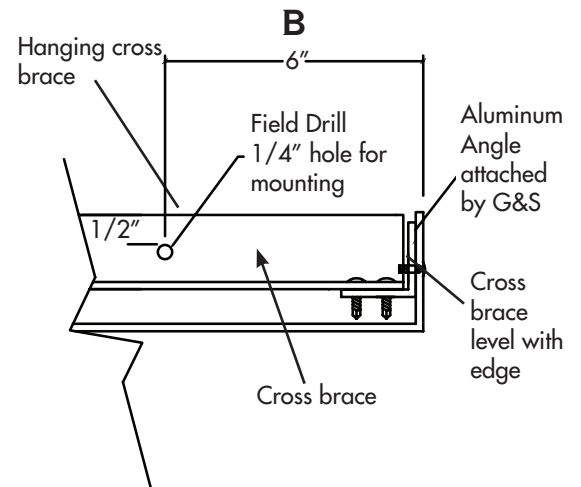
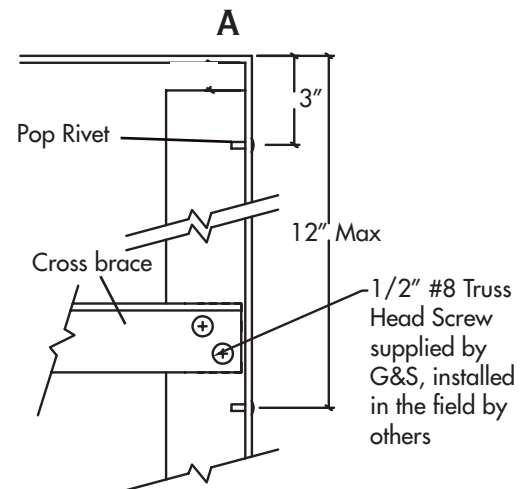
For hanging flat-shaped Reflector Clouds (RC) that weigh 1.5 lbs per square foot.

## DESCRIPTION

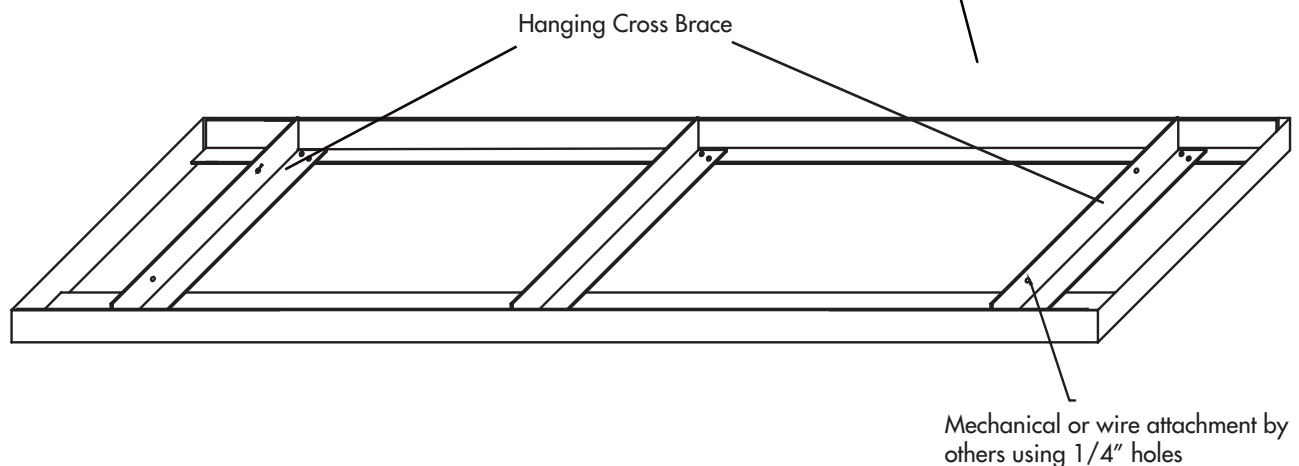
Installation is as follows:

1. All cross braces installed by G&S as shown on **Detail A**.
2. Field drill holes in the cross braces at each end of the Reflector Cloud for mechanical or wire attachment as shown on **Detail B** and **Drawing 1**.
3. Use wire, chain (provided by others) to hang each Reflection Cloud from the cross braces. Hang with minimum of 4 wires.

## CLOUD MOUNTING DETAIL

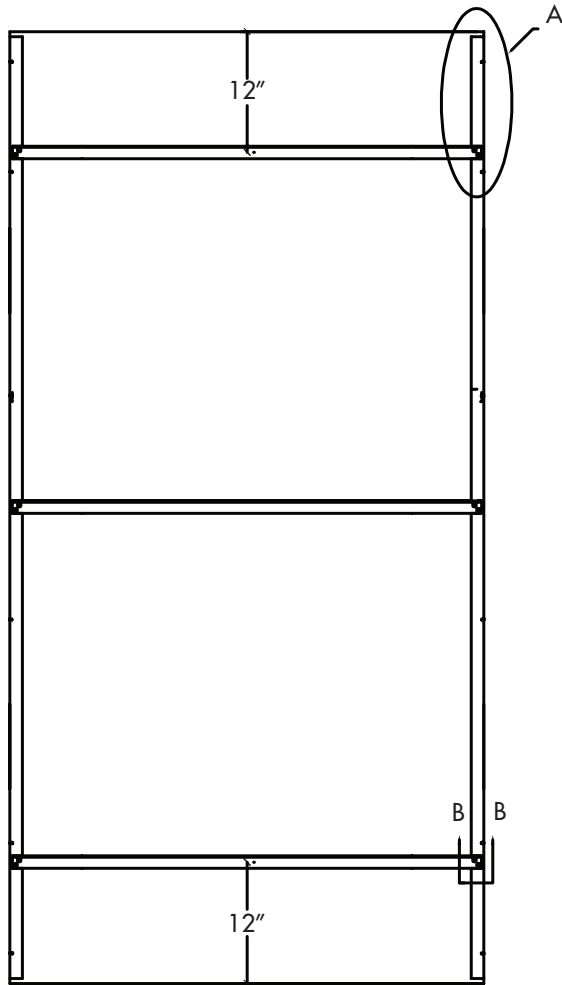


## DRAWING 1

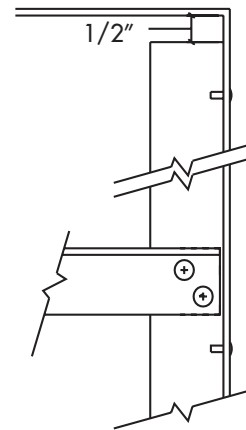


*Controlling Sound Beautifully*

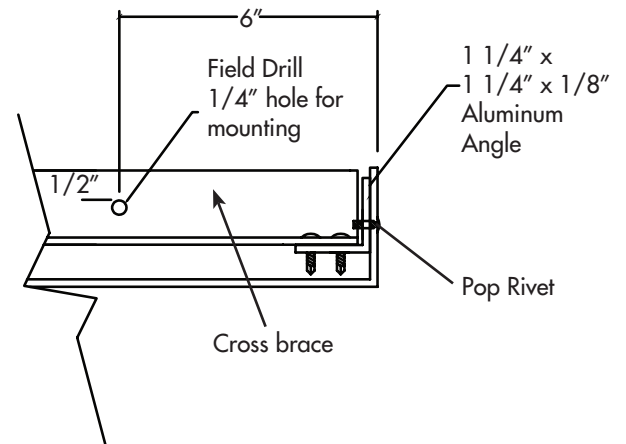
# CEILING MOUNTING: REFLECTION CLOUD (RC)



**DETAIL A**



**B**



*Controlling Sound Beautifully*

