

CEILING MOUNTING: SEAMLESS BOTTOM BAFFLE FOR T-GRID MOUNTING

APPLICATION

For ceiling mounting Seamless Bottom Baffles with T-Grid Mounting.

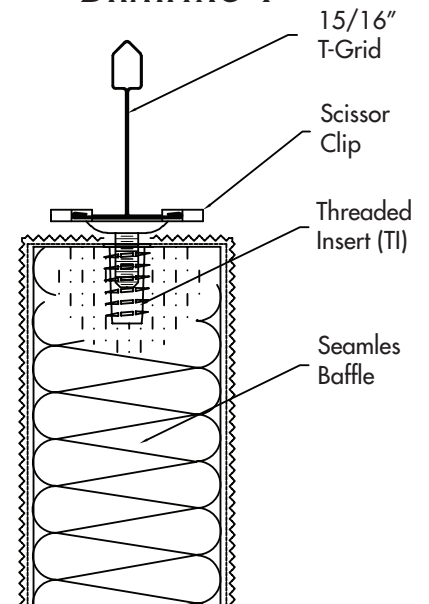
DESCRIPTION

This installation uses a scissor clip fastened to a factory installed threaded insert (TI). Installation is as follows:

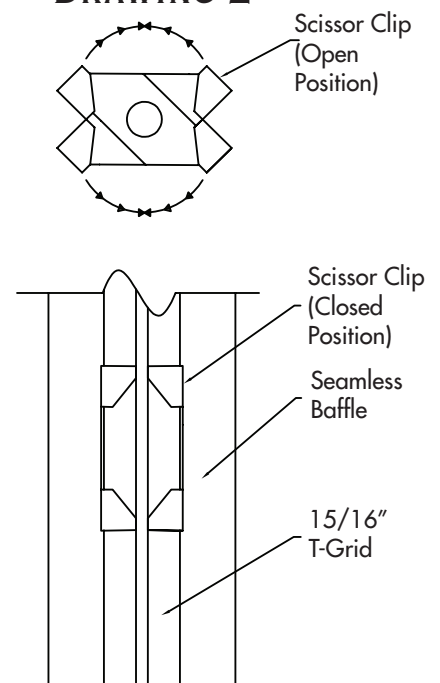
1. Handle the Seamless Bottom Baffle very carefully.
2. Screw the scissor clip into the threaded insert until it is snug, but in line with the T-Grid. **See Drawing 1.** Continue to install a scissor clip at each threaded insert.
3. Confirm that there are T-Grids located at every installation location of the Seamless Bottom Baffles.
4. Open all the scissor clips so they are ready to receive the T-Grid. Lift the Seamless Bottom Baffles into place and close the scissor clips securely around each T-Grid. **See Drawing 2.**
5. Seamless Bottom Baffles **must** be installed with a **2" space** between the baffles.

MOUNTING DETAILS

DRAWING 1



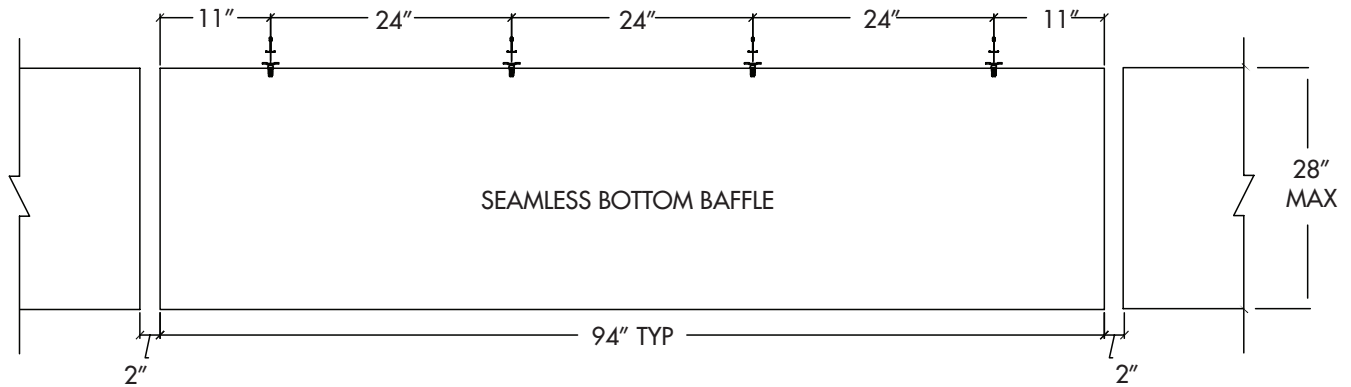
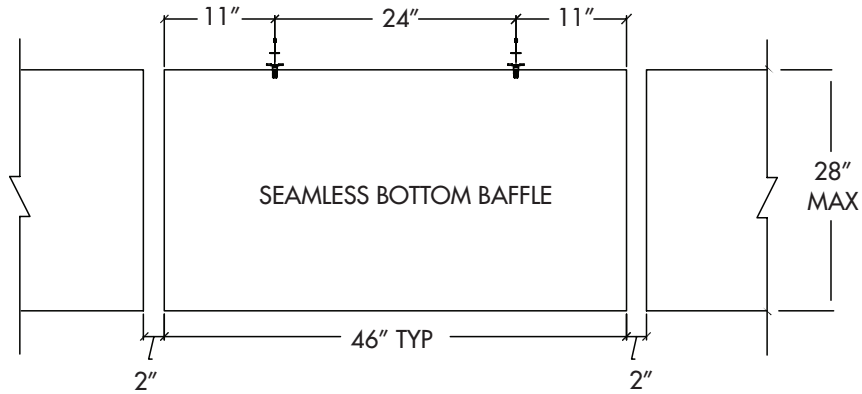
DRAWING 2



Controlling Sound Beautifully

CEILING MOUNTING: SEAMLESS BOTTOM BAFFLE FOR T-GRID MOUNTING

Scissor Clip Layout for T-Grid Mounting.



Controlling Sound Beautifully

800-737-0307 • 636-225-8800 • fax 636-225-2966 • www.gsacoustics.com

