

PINTA CEILING PANELS (PPC)

Pinta Panels for Ceilings (PPC) are G&S Acoustics' **Painted**, sound-absorbing ceiling panels. High sound absorption and a wide variety of appearances make PPC **a good choice for acoustically treating ceilings.**

PPC installs in a variety of ceiling conditions, including lay-in grids, mechanically clipped to framing or drywall and painted pucks. An optional foil backing is available.

Typical applications for PPC include band rooms, auditoriums, churches and spaces that require high NRC levels from the ceiling.

Other products available with a painted Pinta finish:

Pinta Wall Panels
SoundWave Pinta Clouds
Serenade Pinta Clouds



CORE

Backing: 6-7 pcf fiberglass, 1"-2" thick
Facing: Scrim Fiber

SIZES

Direct Mount: Custom sizes and shapes up to 4'x8'
Lay-In: Custom sizes and shapes up to 4'x4'

MOUNTING

Two-part Z-clips, continuous hanger bar, lay-in grid, painted pucks

FINISH

Sherwin Williams latex paint

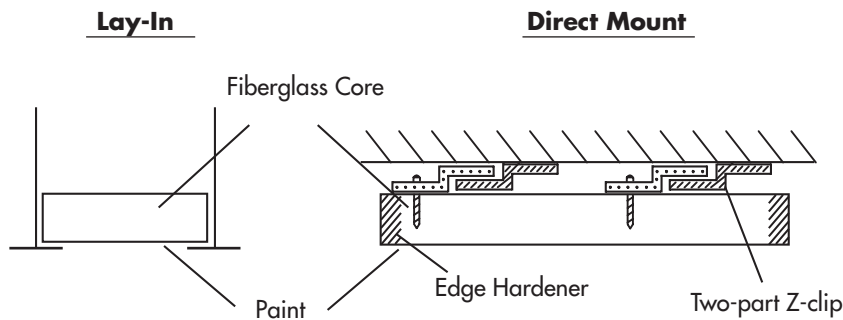
EDGES

Square
Hardened

FLAMMABILITY

All components have a Class "A" rating per ASTM E84

CORE SECTION



SOUND ABSORPTION - DIRECT MOUNT TO CEILING

Hz	125	250	500	1000	2000	4000	N.R.C.
PPC 1	.09	.39	.87	1.05	1.04	.88	.85
PPC 2	.54	.82	1.16	1.12	1.03	.94	1.05

SOUND ABSORPTION - LAY-IN CEILING

Hz	125	250	500	1000	2000	4000	N.R.C.
PPC 1	.66	.79	.77	.97	.97	.94	.90

*Controlling
Sound
Beautifully*